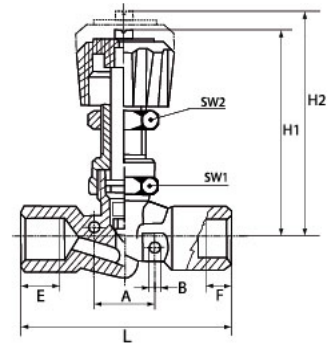


Housing	Nickel-plated brass
Stem	Brass
Wheel	Plastic
Sealant	NBR
Max. operating pressure	18 bar
Operating temperature	-10 °C to 80 °C



Needle valve, female/female thread acc. to ISO 7/1												
Art No.	Type No.	Thread	DN	A	B	L	E	F	H1	H2	a/f 1	Flow rate
				mm	mm	mm	mm	mm	mm	mm	mm	NI/min*
136226	210.79-N	Rp 1/8	4	20.5	4.5	51.6	6.7	6.7	38.2	42.8	19	600
136227	210.80-N	Rp 1/4	4	20.5	4.5	57.0	8.0	8.0	38.2	42.8	19	600
136228	210.81-N	Rp 3/8	8	21.0	4.5	63.0	10.0	10.0	52.7	59.9	21	1900
136229	210.82-N	Rp 1/2	8	21.0	4.5	69.0	11.0	11.0	52.7	59.9	21	1900

Needle valve, female/female thread, with bulkhead fitting for panel mounting acc. to ISO 7/1													
Art No.	Type No.	Thread	DN	A	B	L	E	F	H1	H2	a/f 1	a/f 2	Flow rate
				mm	mm	mm	mm	mm	mm	mm	mm	mm	NI/min*
136230	210.89-N	Rp 1/8	4	20.5	4.5	51.6	6.7	6.7	51.0	56.0	19	17	600
136231	210.90-N	Rp 1/4	4	20.5	4.5	57.0	8.0	8.0	51.0	56.0	19	17	600
136232	210.91-N	Rp 3/8	8	21.0	4.5	63.0	10.0	10.0	70.2	77.4	21	17	1900
136233	210.92-N	Rp 1/2	8	21.0	4.5	69.0	11.0	11.0	70.2	77.4	21	17	1900

Needle valve, female/male thread												
Art No.	Type No.	Thread	DN	A	B	L	E	F	H1	H2	a/f 1	Flow rate
				mm	mm	mm	mm	mm	mm	mm	mm	NI/min*
136234	212.39-N	Rp/R 1/8	4	20.5	4.5	52.3	6.7	8.5	38.2	42.8	19	600
136235	212.40-N	Rp/R 1/4	4	20.5	4.5	53.0	8.0	8.5	38.2	42.8	19	600
136236	212.41-N	Rp/R 3/8	8	21.0	4.5	56.5	10.0	9.0	52.7	59.9	21	1900
136237	212.42-N	Rp/R 1/2	8	21.0	4.5	63.5	11.0	11.0	52.7	59.9	21	1900

Needle valve, male/male thread												
Art No.	Type No.	Thread	DN	A	B	L	E	F	H1	H2	a/f 1	Flow rate
				mm	mm	mm	mm	mm	mm	mm	mm	NI/min*
136238	213.39-N	R 1/8	4	20.5	4.5	53.0	8.5	8.5	38.2	42.8	19	600
136239	213.40-N	R 1/4	4	20.5	4.5	59.0	8.5	8.5	38.2	42.8	19	600
136240	213.41-N	R 3/8	8	21.0	4.5	52.0	9.0	9.0	52.7	59.9	19	1900
136241	213.42-N	R 1/2	8	21.0	4.5	58.0	11.0	11.0	52.7	59.9	21	1900

* Flow rate at 6 bar, completely opened



210.80-N



210.90-N



212.40-N



213.40-N